

# ARW 65

## WALK-BEHIND ROLLER



### A 2-IN-1 MACHINE

The ARW 65 provides two-in-one capabilities that make it the perfect fit for every construction company. A high-amplitude setting provides a walk-behind roller that performs like it was custom built for work on soils and aggregates. By simply adjusting to the low-amplitude the operator can change to a roller that is a perfect fit on asphalt and bituminous materials. The machine is available with Hatz or Yanmar diesel engines, leaving the engine choice up to the customers preferences.

### SOIL AND BITUMEN APPLICATION

- High-amplitude setting for work on gravel/soil.
- Low-amplitude setting for asphalt and bituminous materials.
- Scrapers, sprinkler system and large water tank for work on bituminous material already installed.

### HYDRAULIC DRIVE

- Ensures variable speed adjustment.
- Offers smooth starting/braking action.
- Low maintenance costs due to hydrostatic drive and vibration

### TWO AMPLITUDES

- Big amplitude (0.5 mm) for substructure
- Small amplitude (0.3 mm) for asphalt

### EFFICIENCY ON EDGES

- Clearance on both drum sides allows compaction work extremely close to obstacles.
- No time-consuming reworking on edges is needed.

### SAFETY FIRST

- Safety handle stops machine when operator releases grip.
- Safety handle changes direction to forward when the machine comes too close to the operator in reverse mode.
- In reverse mode the roller's speed limit is set to 42 m/min (1.6 mph).

### APPLICATIONS

- Earthworks and asphalt applications
- Sidewalks/cycle paths construction & repair
- Sports grounds
- Agricultural roads construction & maintenance
- Forest access roads construction & maintenance

**AMMANN**

TECHNICAL SPECIFICATIONS  
ARW 65 WALK-BEHIND ROLLER

WEIGHT & DIMENSIONS

|   | HATZ               | YANMAR            |
|---|--------------------|-------------------|
| OPERATING WEIGHT CECE                       | 719 kg (1585 lb)   | 712 kg (1570 lb)  |
| MAX. WEIGHT (WITH ELECTRIC START & OPTIONS) | 744.5 kg (1641 lb) | 719 kg (1585 lb)  |
| A MACHINE LENGTH                            | 2288 mm (90.1 in)  | 2288 mm (90.1 in) |
| B WHEEL BASE                                | 500 mm (19.7 in)   | 500 mm (19.7 in)  |
| C DRUM DIAMETER                             | 400 mm (15.7 in)   | 400 mm (15.7 in)  |
| D MACHINE HEIGHT                            | 1110 mm (43.7 in)  | 1110 mm (43.7 in) |
| E TRANSPORT HEIGHT                          | 1835 mm (72.2 in)  | 1835 mm (72.2 in) |
| F MACHINE WIDTH                             | 720 mm (28.3 in)   | 720 mm (28.3 in)  |
| G DRUM WIDTH                                | 650 mm (25.6 in)   | 650 mm (25.6 in)  |

ENGINE

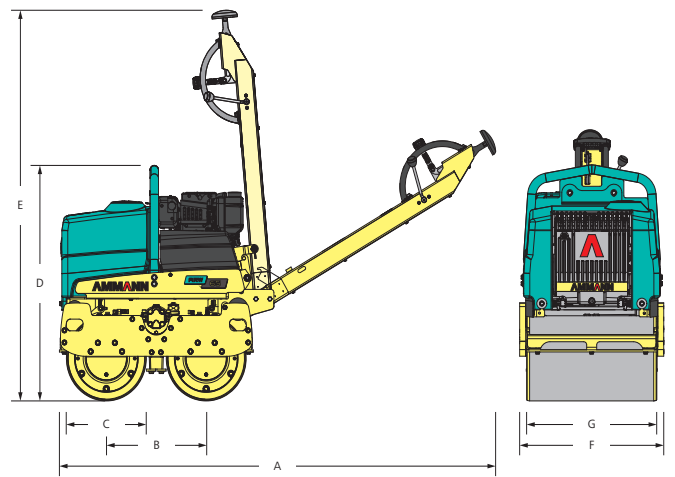
| ENGINE               | Hatz 1D42               | Yanmar L100N            |
|----------------------|-------------------------|-------------------------|
| FUEL                 | Diesel                  | Diesel                  |
| ENGINE OUTPUT AT RPM | 6.4 kW (8.6 HP)<br>2800 | 6.1 kW (8.2 HP)<br>2800 |
| FUEL CONSUMPTION     | 1.7 l/h (0.4 gal/h)     | 1.2 l (0.3 gal/h)       |

COMPACTION FORCES

| MAX. VIBRATION FREQUENCY     | 65 Hz (3900 vpm)                  | 65 Hz (3900 vpm)                  |
|------------------------------|-----------------------------------|-----------------------------------|
| MAX. CENTRIFUGAL FORCE       | 14/23 kN<br>(2147 / 5171 lbf)     | 14/23 kN<br>(2147 / 5171 lbf)     |
| LINEAR PRESSURE              | 5.7 kg/cm<br>(31.8 lb/in)         | 5.5 kg/cm<br>(30.7 lb/in)         |
| AMPLITUDE                    | 0.3 / 0.5 mm<br>(0.012 / 0.02 in) | 0.3 / 0.5 mm<br>(0.012 / 0.02 in) |
| MAX. COMPACTION DEPTH (SOIL) | 20/15 cm<br>(7.9/5.9 in)          | 20/15 cm<br>(7.9/5.9 in)          |
| MAX. COMPACTION DEPTH (SAND) | 30/25 cm<br>(11.8/9.8 in)         | 30/25 cm<br>(11.8/9.8 in)         |

STANDARD EQUIPMENT

- Hydrostatic adjustable eccentric weights for 2 working modes
- Ergonomic handle
- Dead man handle for operator safety
- Integrated hydraulic parking brake
- 60l water tank with sprinkler system
- Scrapers on front and back drum
- Electric starter (Yanmar version)
- 3 year extended warranty program



MISCELLANEOUS

|                                | HATZ                  | YANMAR                |
|--------------------------------|-----------------------|-----------------------|
| SPEED (FORWARD)                | 67 m/min<br>(2.5 mph) | 67 m/min<br>(2.5 mph) |
| SPEED (REVERSE)                | 42 m/min<br>(1.6 mph) | 42 m/min<br>(1.6 mph) |
| GRADEABILITY W./W.O. VIBRATION | 25% / 45%             | 25% / 44%             |
| FUEL CAPACITY                  | 5 l (1.3 gal)         | 4.7 l (1.2 gal)       |
| WATER TANK CAPACITY            | 60 l (15.8 gal)       | 60 l (15.8 gal)       |

OPTIONAL EQUIPMENT

- Operating hour meter
- LED working lights
- Electric starter (Hatz version)
- Ammann ServiceLink (Telematics)